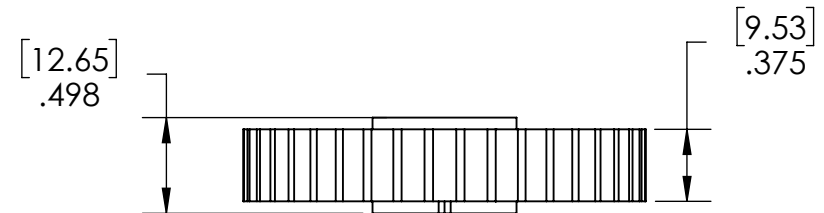
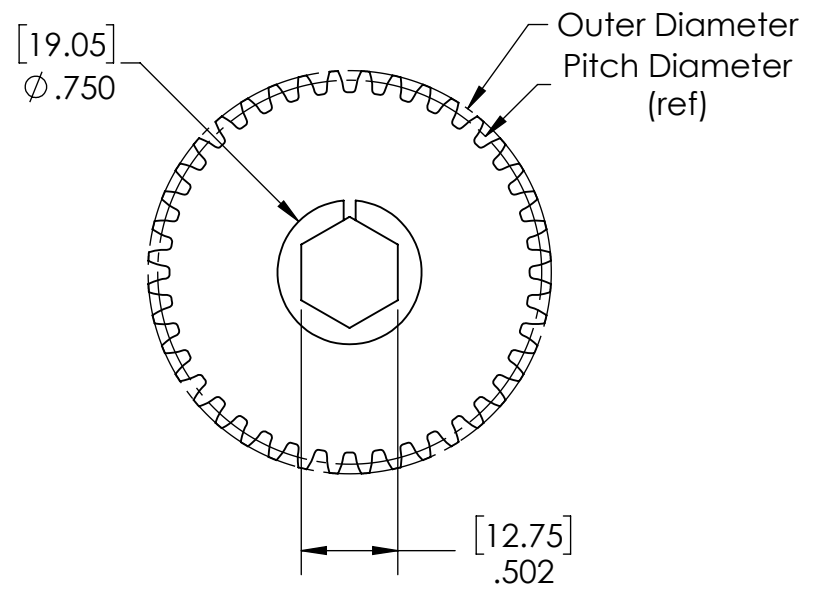


Part #	Tooth Count	Pitch Diameter (ref)	Outer Diameter	Material
WCP-0112	16	0.800	0.900	7075-T6 Aluminum
WCP-0700	18	0.900	1.000	7075-T6 Aluminum
WCP-0701	20	1.000	1.100	7075-T6 Aluminum
WCP-0702	22	1.100	1.200	7075-T6 Aluminum
WCP-0703	24	1.200	1.300	7075-T6 Aluminum
WCP-0704	26	1.300	1.400	7075-T6 Aluminum
WCP-0705	28	1.400	1.500	7075-T6 Aluminum
WCP-0706	30	1.500	1.600	7075-T6 Aluminum
WCP-0707	32	1.600	1.700	7075-T6 Aluminum
WCP-0708	34	1.700	1.800	7075-T6 Aluminum
WCP-0709	36	1.800	1.900	7075-T6 Aluminum
WCP-0710	38	1.900	2.000	7075-T6 Aluminum
WCP-0711	40	2.000	2.100	7075-T6 Aluminum
WCP-0712	42	2.100	2.200	7075-T6 Aluminum
WCP-0713	44	2.200	2.300	7075-T6 Aluminum
WCP-0714	46	2.300	2.400	7075-T6 Aluminum
WCP-0188	48	2.400	2.500	7075-T6 Aluminum
WCP-0715	50	2.500	2.600	7075-T6 Aluminum
WCP-0716	52	2.600	2.700	7075-T6 Aluminum
WCP-0717	54	2.700	2.800	7075-T6 Aluminum
WCP-0718	56	2.800	2.900	7075-T6 Aluminum
WCP-0719	58	2.900	3.000	7075-T6 Aluminum
WCP-0720	60	3.000	3.100	7075-T6 Aluminum
WCP-0721	62	3.100	3.200	7075-T6 Aluminum
WCP-0722	64	3.200	3.300	7075-T6 Aluminum
WCP-0171	66	3.300	3.400	7075-T6 Aluminum
WCP-0723	68	3.400	3.500	7075-T6 Aluminum
WCP-0172	70	3.500	3.600	7075-T6 Aluminum
WCP-0724	72	3.600	3.700	7075-T6 Aluminum
WCP-0725	74	3.700	3.800	7075-T6 Aluminum
WCP-0726	76	3.800	3.900	7075-T6 Aluminum
WCP-0727	78	3.900	4.000	7075-T6 Aluminum
WCP-0728	80	4.000	4.100	7075-T6 Aluminum
WCP-0729	82	4.100	4.200	7075-T6 Aluminum
WCP-0730	84	4.200	4.300	7075-T6 Aluminum

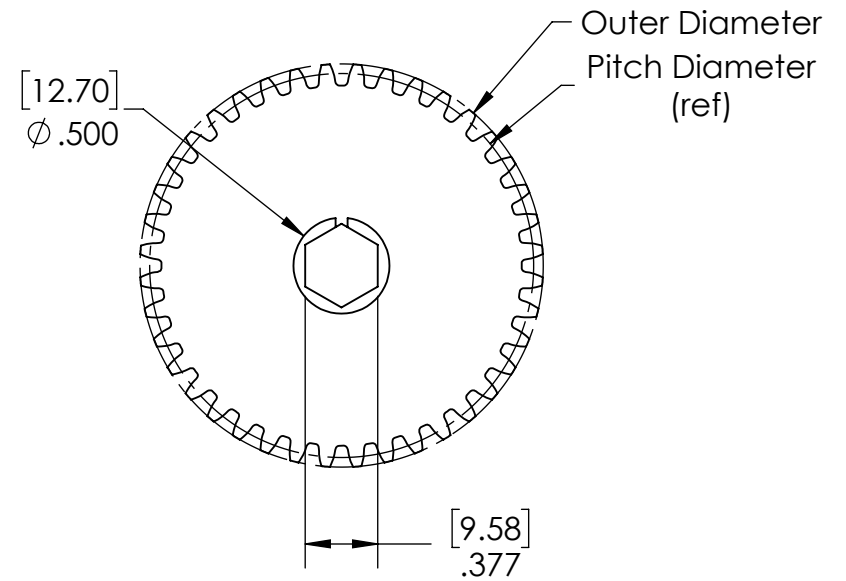
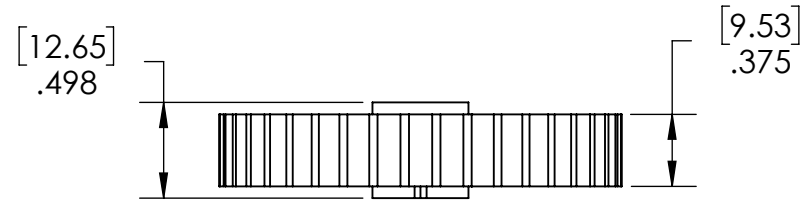


Note:  
For WCP-0112 Rev1,  
This dimension is 0.65



Description		WCP 20DP 1/2" Hex Aluminum Gears	
Dwg No		20DP Aluminum Gears	
Project		FIRST Robotics - FRC	Sheet 1 of 1
Release		1/20/2023	<b>ALL DIMENSIONS ARE IN INCHES [MM].</b>

Part #	Tooth Count	Pitch Diameter (ref)	Outer Diameter	Material
WCP-0680	14	0.700	0.800	7075-T6 Aluminum
WCP-0681	16	0.800	0.900	7075-T6 Aluminum
WCP-0682	18	0.900	1.000	7075-T6 Aluminum
WCP-0683	20	1.000	1.100	7075-T6 Aluminum
WCP-0684	22	1.100	1.200	7075-T6 Aluminum
WCP-0685	24	1.200	1.300	7075-T6 Aluminum
WCP-0686	26	1.300	1.400	7075-T6 Aluminum
WCP-0687	28	1.400	1.500	7075-T6 Aluminum
WCP-0688	30	1.500	1.600	7075-T6 Aluminum
WCP-0689	32	1.600	1.700	7075-T6 Aluminum
WCP-0690	34	1.700	1.800	7075-T6 Aluminum
WCP-0691	36	1.800	1.900	7075-T6 Aluminum
WCP-0692	38	1.900	2.000	7075-T6 Aluminum
WCP-0693	40	2.000	2.100	7075-T6 Aluminum
WCP-0694	42	2.100	2.200	7075-T6 Aluminum
WCP-0695	44	2.200	2.300	7075-T6 Aluminum
WCP-0696	46	2.300	2.400	7075-T6 Aluminum
WCP-0114	48	2.400	2.500	7075-T6 Aluminum
WCP-0698	50	2.500	2.600	7075-T6 Aluminum
WCP-0699	52	2.600	2.700	7075-T6 Aluminum



Description		WCP 20DP 3/8" Hex Aluminum Gears	
Dwg No		20DP Aluminum Gears	
Project		FIRST Robotics - FRC	Sheet 1 of 1
Release		1/20/2023	<b>ALL DIMENSIONS ARE IN INCHES [MM].</b>

WWW.WCPRODUCTS.COM